

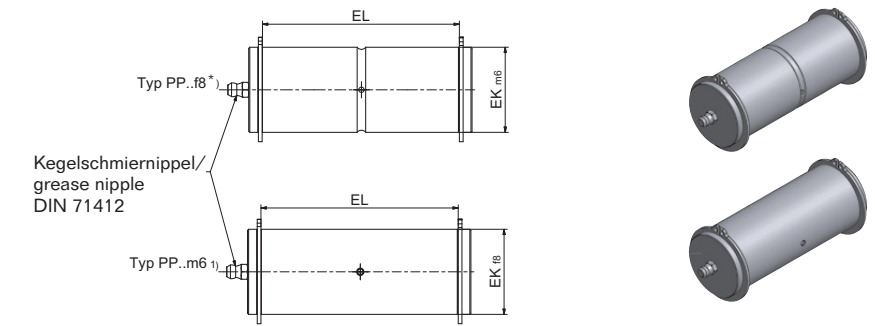
Bolzen

ISO 8132
 einsatzgehärtet 60 HRC
 Material: 16 Mn Cr 5
 passend für CBA··/CBB··

Pivot pin

ISO 8132
 case-hardened 60 HRC
 material: 16 Mn Cr 5
 suitable for CBA··/CBB··

**Serie/Series PP··f8
 PP··m6**



Bezeichnung/Designation		Nennkraft/ Nominal force [kN]	für Kolben-Ø, Kolbenst.-Ø piston-Ø, rod-Ø			Abmessung / Dimensions mm		Gewicht/ Weight ≈ kg
			100 bar	160 bar	250 bar	EK* f8/m6	EL H16	
PP10f8**	PP10m6**	5	25/12			10	25	0,010
PP12f8**	PP12m6**	8	32/14	25 14 18		12	29	0,040
PP16f8	PP16m6	12,5	40/18	32 18 22		16	37	0,070
PP20f8	PP20m6	20	50/22	40 22 28		20	46	0,130
PP25f8	PP25m6	32	63/28	50 28 36	40 22 28	25	57	0,250
PP32f8	PP32m6	50	80/36	63 36 45	50 32 36	32	72	0,520
PP40f8	PP40m6	80	100/45	80 45 56	63 40 45	40	92	1,03
PP50f8	PP50m6	125	125/56	100 56 70	80 50 56	50	112	1,95
PP63f8	PP63m6	200	160/70	125 70 90	100 63 70	63	142	3,80
PP80f8	PP80m6	320	200/90	160 90 110	125 80 90	80	172	7,52

*Toleranzen m6 = Gelenklager, Toleranzen f8 = Schwenklager

**Typ PP10 und PP12 ohne Schmiernippel

*tolerances m6 = spherical plain bearings, tolerances f8 = hinge bearings

**type PP10 and PP12 without grease nipple

